

# Masport<sup>®</sup>

## EUROPEAN ROTARY MOWERS

### SERIES 18 - OPC

Part Number  
464701

Model  
250 ST SP Combo

Engine  
B&S Series 450

Month and Year of First Manufacture - Feb 2014

Starting Serial Number - 7799050



*Issue B.1  
ECN 02975  
Oct 2015 PB  
REF # 764701S*

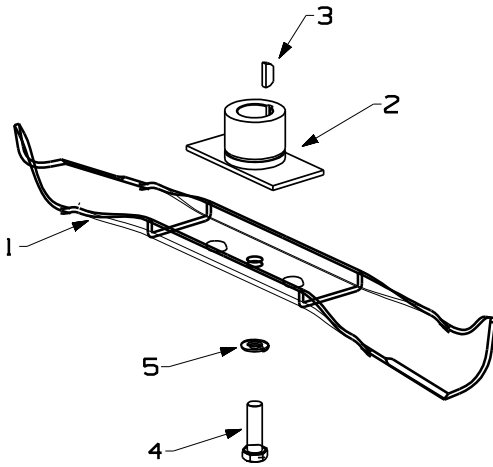


**S18 250ST SP**  
 Powered by:  
 B&S Series 450

# Masport

Issue B.1  
 ECN 02975  
 Oct 2015 PB  
 REF # 764701S

## 460mm Bar Blade Assembly

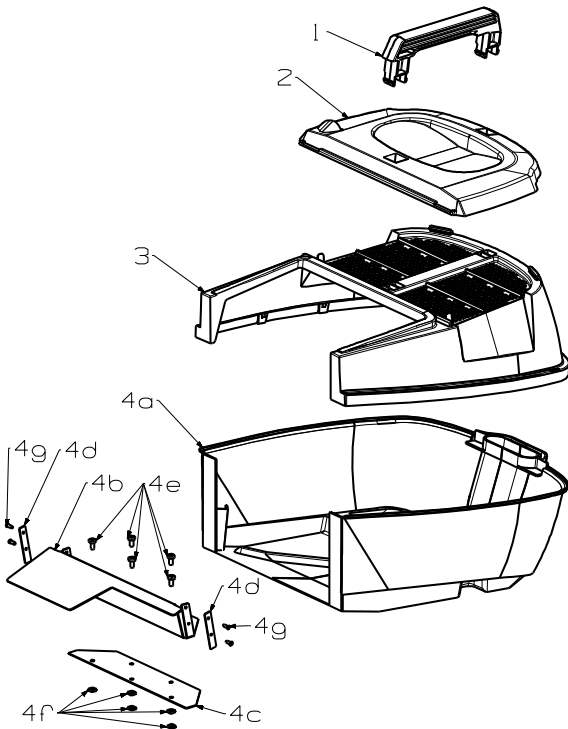


Item	Part No	Description	Qty
1	911181	Blade-Bar,460mm	1
2	911106	Driver Assy-Blade,7/8"	1
3	500636	Key- Woodruff 5/8x5/32x1/4	1
4	503543	Bolt; Hex NF 3/8"x1.5 NYG8	1
5	500204	Washer, Spring 3/8"	1

An alternative fastening may be used in this assembly

4 **581610** Screw, Set NF 3/8 x 1.25 NYG8 1

## 767058 Catcher Assembly Complete 18" - Plastic ( Includes items 1 ~ 4g )



Item No	Part No	Description	Qty Req'd
1	580673	Catcher- Handle	1
2	580674	Catcher- Lid 18"	1
3	579117	Catcher-Top 18"	1
4a	567057	Catcher-Bottom,18" Grey	1
4b	573133	Lip-Catcher, 460 ST SP	1
4c	582222	Lip-Catcher, Backing Plate	1
4d	982223	Plate-Rivet,CatcherBacking	2
4e	503591	Screw, Pan M6x12 Poz	5
4f	502098	Nut, M6 Squ Pressed	5
4g	501303	Rivet- Pop 4.0x7.9	4

When ordering PLEASE QUOTE PART NUMBER & Description, NOT Illustration No.  
 Determine right or left hand side from standing in operating position (standing at handle).

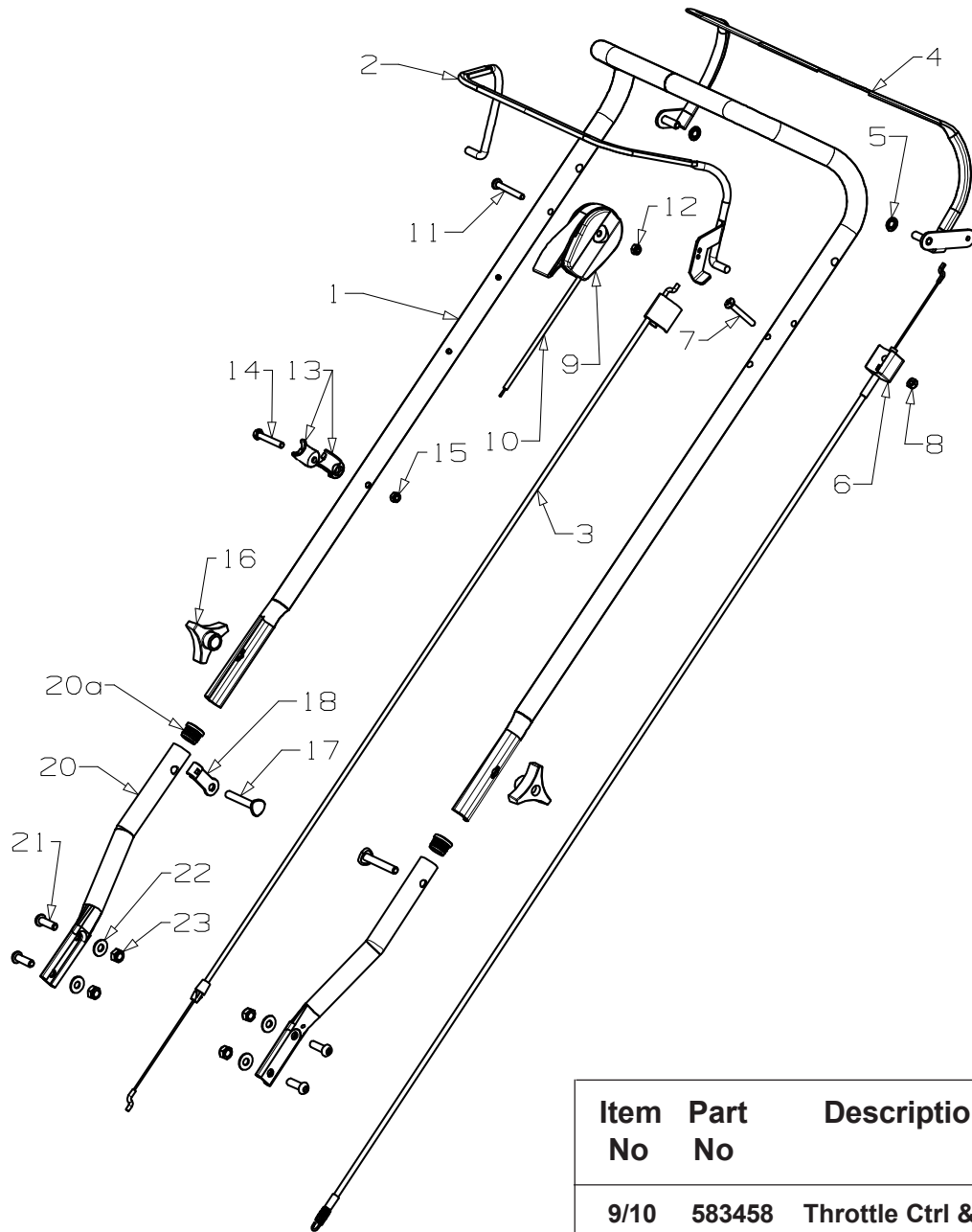
**Bold Text** = Assemblies, **Bulleted Text** \* = Items included in the Assemblies & may not be available as a spares item.



**S18 250ST SP**  
 Powered by:  
 B&S Series 450

# Masport

Issue B.1  
 ECN 02975  
 Oct 2015 PB  
 REF # 764701S



Item No	Part No	Description	Qty
9/10	<b>583458</b>	<b>Throttle Ctrl &amp; Cable, Wescon</b>	<b>1</b>
11	<b>503604</b>	*Screw, Pan M6 x 45	1
12	<b>501764</b>	*Nut, Nyloc M6	1
13	<b>703856</b>	<b>Comfort Start Kit</b>	<b>1</b>
14	<b>503794</b>	*Screw, Set M6 x 40	1
15	<b>501764</b>	*Nut, Nyloc M6	1
16/17	<b>774230</b>	<b>Lnob Lock Assy (2 per)</b>	<b>1</b>
16	<b>574230</b>	*Knob- Plastic, M8 Insert	2
17	<b>574218</b>	*Bolt, SPH M8 x 53 x 35 Thread	2
18	<b>581527</b>	Retainer- Clutch, Cable	1
20	<b>980692</b>	Handle-Lower, Stub Black	2
20a	<b>503319</b>	Plug- 22mm Black Plastic	2
21	<b>503643</b>	Set Screw, M8x25 Btn/Hd	4
22	<b>501606</b>	Washer, Flat 8x19x1.6	4
23	<b>501793</b>	Nut, Nyloc M8	4

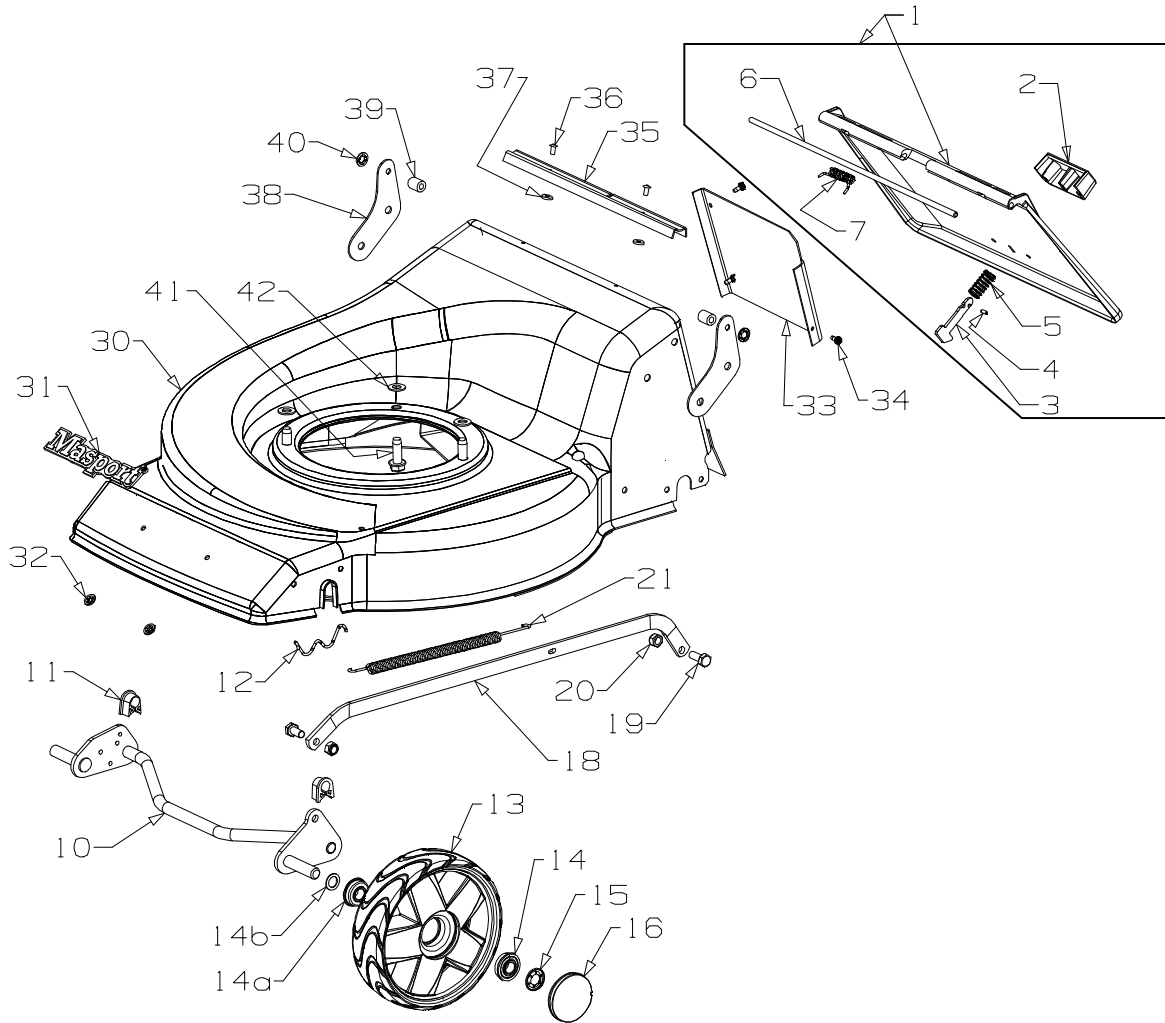
Item No	Part No	Description	Qty
1	<b>781265</b>	Handle & Sleeve Assy - Blk	1
2	<b>981740</b>	Bail Arm Assy- OPC, Black	1
3	<b>581656</b>	Cable- Engine OPC, Push On	1
4	<b>982161</b>	Bail Arm Assy- SP, Black	1
5	<b>501365</b>	Clip- Starlock, 5/16"	2
6	<b>567410</b>	Cable- Clutch, Thumb Wheel	1
7	<b>503604</b>	Screw, Pan M6 x 45	1
8	<b>501764</b>	Nut, Nyloc M6	1



**S18 250ST SP**  
 Powered by:  
 B&S Series 450

# Masport

Issue B.1  
 ECN 02975  
 Oct 2015 PB  
 REF # 764701S



Item No	Part No	Description	Qty Req'd	Item No	Part No	Description	Qty Req'd
	<b>1</b>	<b>764242 Flap Assy- Plastic, Latched</b>	<b>1</b>	<b>19</b>	<b>501597</b>	Screw Set, M8x20 Hex ZP	<b>2</b>
	<b>2</b>	<b>*580602 Handle Flap</b>	<b>1</b>	<b>20</b>	<b>501793</b>	Nut, M8 Hex Nyloc	<b>2</b>
	<b>3</b>	<b>*981650 Latch Flap Barbed</b>	<b>1</b>	<b>21</b>	<b>581463</b>	Spring-Counter Balance	<b>1</b>
	<b>4</b>	<b>*502019 Pin Tension 3.0x8</b>	<b>1</b>	<b>30</b>	<b>767569</b>	<b>Hsg Assy- Stl 18" SP TTNM</b>	<b>1</b>
	<b>5</b>	<b>*581106 Spring Latch</b>	<b>1</b>	<b>31</b>	<b>581240</b>	<b>*Nameplate</b>	<b>1</b>
	<b>6</b>	<b>*779732 Wire Flap Pivot 377 x 6</b>	<b>1</b>	<b>32</b>	<b>503150</b>	<b>*Clip-Starlock, 5 Dia</b>	<b>2</b>
	<b>7</b>	<b>*581349 Spring Flap 18" Stl</b>	<b>1</b>	<b>33</b>	<b>573131</b>	<b>*Tunnel- Gbox Cover 18" ST</b>	<b>1</b>
	<b>10</b>	<b>567577 Axle Assy Front, 18" SP</b>	<b>1</b>	<b>34</b>	<b>503630</b>	<b>*Screw, S/T 10x0.4</b>	<b>3</b>
	<b>11</b>	<b>580030 Bush-Pivot, Front Axle</b>	<b>2</b>	<b>35</b>	<b>583151</b>	Dust Seal- Flap	<b>1</b>
	<b>12</b>	<b>529674 Retainer-Axle W, Front</b>	<b>2</b>	<b>36</b>	<b>581369</b>	Rivet- Pop 4.0x3.2	<b>2</b>
	<b>13</b>	<b>579196 Wheel Assy-175mm BB Spoked</b>	<b>2</b>	<b>37</b>	<b>502170</b>	Washer, Nylon 5 x 12 x 2.0	<b>2</b>
		(Includes 2 x 551212 per wheel)		<b>38</b>	<b>567585</b>	Bracket- Flap	<b>2</b>
	<b>14</b>	<b>551212 Bearing- Wheel</b>	<b>2</b>	<b>39</b>	<b>579733</b>	Spacer Flap	<b>2</b>
	<b>14a</b>	<b>579694 Bearing- Wheel, Plastic</b>	<b>2</b>	<b>40</b>	<b>503574</b>	Clip-Starlock, 6 Dia	<b>2</b>
	<b>14b</b>	<b>503301 Washer; FLT 1/2 x 3/4x18G</b>	<b>1</b>	<b>41</b>	<b>580453</b>	Screw, S/T 3/ 8" x 1 1/8"	<b>3</b>
	<b>15</b>	<b>503236 Clip-Starlock, 1/2"</b>	<b>2</b>	<b>42</b>	<b>501704</b>	Washer Flt, 10x19x1.6	<b>3</b>
	<b>16</b>	<b>579198 Hub Cap, Button Spoked - Silver</b>	<b>2</b>				
	<b>18</b>	<b>567574 Rod Assy-Connecting, 18"SP</b>	<b>1</b>				

When ordering PLEASE QUOTE PART NUMBER & Description, NOT Illustration No.  
 Determine right or left hand side from standing in operating position (standing at handle).

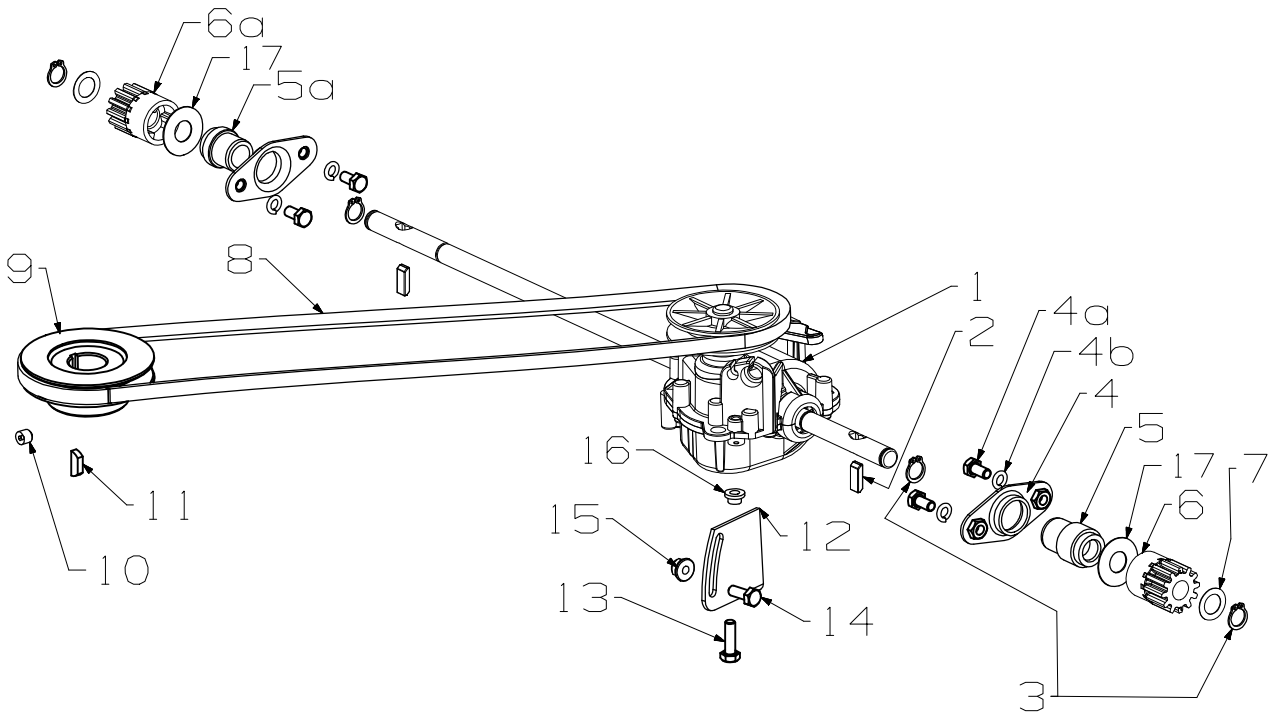
**Bold Text** = Assemblies, Bulleted Text \* = Items included in the Assemblies & may not be available as a spares item.



**S18 250ST SP**  
 Powered by:  
 B&S Series 450

# Masport

Issue B.1  
 ECN 02975  
 Oct 2015 PB  
 REF # 764701S



**Please Note: RH pinion must be installed on the left side,  
 LH pinion must be installed on the right side.**

Item No	Part No	Description	Qty	Item No	Part No	Description	Qty
1	<b>567358</b>	Gearbox- Single SP Synchro	1	7	<b>503102</b>	Washer, FLT 12x20x0.4	2
2	<b>581092</b>	Pawl Pinion, 950SP	2	8	<b>564091</b>	Belt-V Sanlux XPZ 762	1
3	<b>503759</b>	Circlip, 12EXT DIN 471	4	9	<b>782515</b>	Pulley-ENG, 7/8Bx79Dx28H	1
4	<b>567598</b>	Retainer Axle Rear 18" ST SP	2	10	<b>503386</b>	Screw, Grb M8x8	1
4a	<b>501959</b>	Screw, Set M6x12	4	11	<b>500636</b>	Key-W/Ruff 5/8x5/32x1/4	1
4b	<b>500201</b>	Washer, SPG 6	4	12	<b>567576</b>	Mount-Gearbox 18" ST SP	1
5	<b>567572</b>	Boss - Bearing 18" ST SP LH	1	13	<b>501600</b>	Screw, Set M6x20	1
5a	<b>567573</b>	Boss - Bearing 18" ST SP RH	1	14	<b>501702</b>	Screw, Set M6x16	1
6	<b>569179</b>	Pinion - R/H, 12 Teeth	1	15	<b>503973</b>	Nut, M6 Hex Nyloc	1
6a	<b>569178</b>	Pinion - L/H, 12 Teeth	1	16	<b>564093</b>	Bush-G/Box Mount, ST Syncro	1
				17	<b>564092</b>	Washer, FLT 13x30x0.6	2

When ordering PLEASE QUOTE PART NUMBER & Description, NOT Illustration No.  
 Determine right or left hand side from standing in operating position (standing at handle).

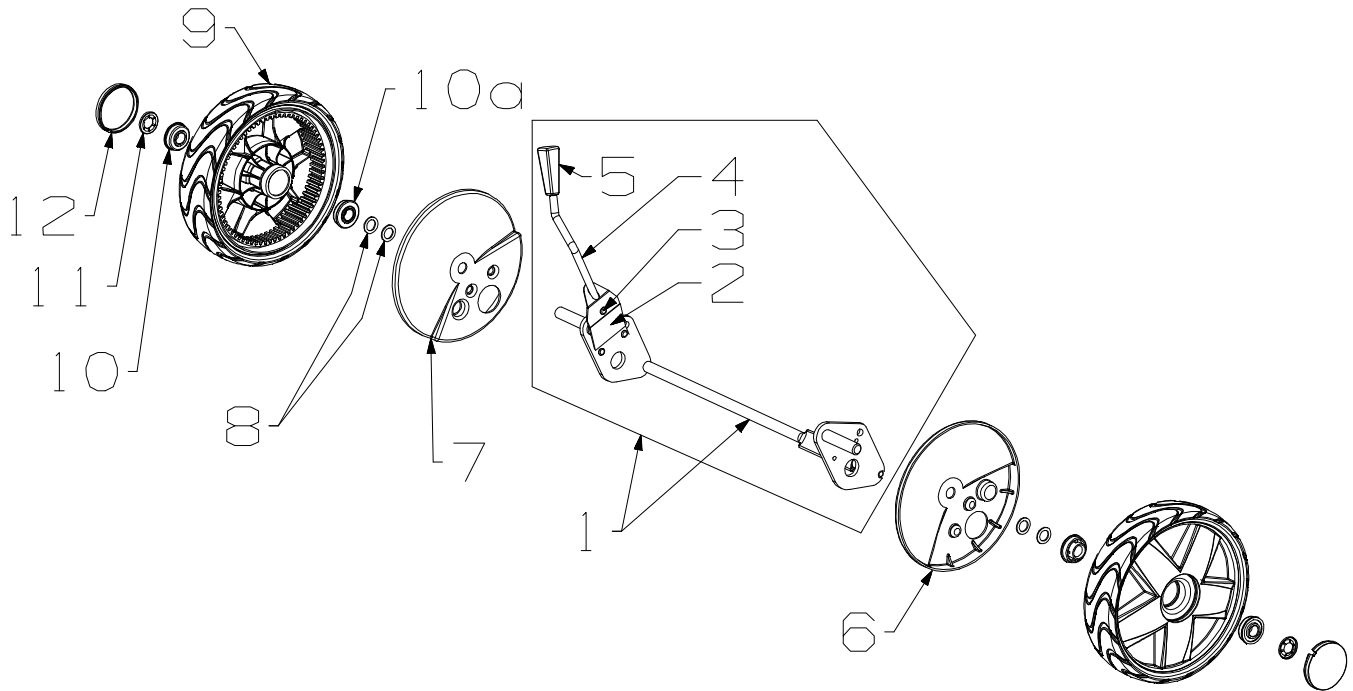
**Bold Text** = Assemblies, Bulleted Text \* = Items included in the Assemblies & may not be available as a spares item.



**S18 250ST SP**  
 Powered by:  
 B&S Series 450

# Masport

Issue B.1  
 ECN 02975  
 Oct 2015 PB  
 REF # 764701S



Item No	Part No	Description	Qty Req'd	NOT ILLUSTRATED	
1	767578	<b>Axle Assy Rear Drive, 18"SP</b>	1	503054	Tie- Nylon, Black 5
2	580649	*Spring Leaf	1	564109	Certificate of Conformity 1
3	503373	*Rivet-F/HD3/16"x27/64"	3	564463	Decal, HSG "Maxi-Drive" 1
4	973681	*Rod-Height Selector (MSV)	1	569324	Owners Manual 1
5	581729	*Knob- Height Lever (MSV)	1	571100	Decal, "Power Drive" 1
4	980733	Rod-Height Selector (As supplied)	1	573162	Decal, HSG S18 250 1
5	580056	Grip Height Lever (As supplied)	1	580778	Stop-Rope 1
6	567597	Cover Dust RH + LH 250 ST SP	1	581180	Instruct- Catcher Assy 1
7	567597	Cover Dust RH + LH 250 ST SP	1	582049	Decal, Flap-Caution 1
8	503301	Washer; FLT 1/2 x3/4x18G	4		
9	567568	<b>Wheel Assy-200mm SP</b> (Includes 2 x 551212 per wheel)	2		
10	551212	Bearing-Wheel	2		
10a	579694	Bearing-Wheel, Plastic	2		
11	503236	Clip-Starlock, 1/2"	2		
12	579198	Hub Cap-Button spoked	2		

When ordering PLEASE QUOTE PART NUMBER & Description, NOT Illustration No.  
 Determine right or left hand side from standing in operating position (standing at handle).

**Bold Text** = Assemblies, Bulleted Text \* = Items included in the Assemblies & may not be available as a spares item.